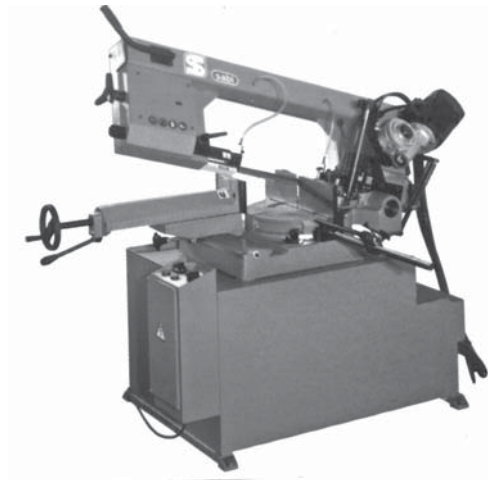


48

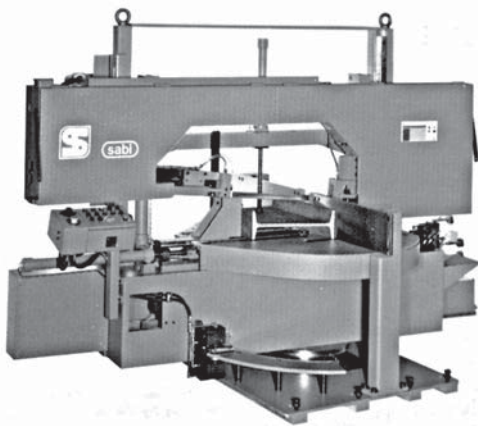


BANDSAWING MACHINE

BR 240/320	
ϕ 90°mm	240
90°mm	320 x 240
-45°mm	210 x 240
+45°mm	165 x 240
-60°mm	ϕ 110 x 155 x 100
-45°mm	ϕ 220 x 210 x 210
+45°mm	ϕ 200 x 190 x 110
mm	2.925 x 27 x 0,9
m/min	35/70
kW	1,1 / 1,4
Kg	376
cm	160 x 80 x 125



✓ Over 50.000 SABI saws built and sold in 54 countries around the world. The quality, heavy duty and high performance of our machines are backed by 50 years of experience.



	PBR 450/700	PBR 550/1000	PBR 700/1300
ϕ	450	550	700
0°	700 x 430	1000 x 520	1300 x 650
-45°	450 x 430	650 x 520	850 x 650
-60°	305 x 430 (1)	425 x 520 (1)	560 x 650 (1)
+45°	450 x 430	650 x 520	850 x 650
m/min	15-105	15-105	15-105
	6.775x 41 x 1,3	8.400 x 54 x 1,3	10.500 x 54 x 1,6
kW	5,50	7,50	7,50
	875	875	875
Kg	4.000	5.000	7.800
	355 x 172 x 224	457 x 194 x 257	519 x 299 x 302

BANDSAWING MACHINE



49



At the top of the KASTO Shop Program:
The KASTOtwIn.

The High Performance Double Column Bandsaw: KASTOtwIn.

The ideal combination of value and performance.

The KASTOtwIn offers serial cutting of light and heavy materials in solids, tubes and profiles. This machine type is available in both fully-automatic and semiautomatic versions. The automatic KASTOtwIn A has three cutting ranges up to 15.75" (400 mm). The KASTOtwIn U 4 has the same cutting width in a semiautomatic version. A bandsaw with these future-reaching precision technologies and a standard NC-control KASTO CompactControl (available on KASTOtwIn A), is unique in this price range.

Precision and rigidity for accurate cuts and long life.

Everything about the KASTOtwIn saw is designed for precision. The ribbed steel structure offers great rigidity. The frequency controlled drives for saw band and material feed ensure an infinitely variable and precisely controlled feed. Standard pretensioned linear guides offer even greater precision. Material feed takes place via an extremely precise ball lead screw. The saw is also designed to adapt to material types and shapes. The precision and high cutting performance capabilities combine for high productivity and low idle times.



KASTO SBA

The fully-hydraulic KASTO bandsawing machines of the SBA series for the workshop, the steel service centre and the industry are available as semi-automatic, fully-automatic and special mitre cutting designs. A wide selection of options allows the adaptation of each machine to individual requirements. The machines are of a specific design whose rigid welded construction ensures high performance. The wide range of standard accessories ensures highest efficiency. These include among others:

- the KASTO Universal Hydraulics (UH) enabling constant feed speeds in the case of cutting solid material and varying feed speeds when tubes or sections are cut.
- the saw head is lifted and lowered hydraulically
- the hydraulic clamping unit with an infinitely variable clamping pressure regulation.
- an electrical tensioning aid and monitoring of the band tension
- a chip removal brush with a separate drive unit.
- carbide-tipped band guides and adjustable band guide arms

The fully automatic SBA A2 AU excels by its high accuracy (± 0.1 mm) that is achieved by the rigid feed vice that can convey the material up to 750 mm on single feed. Multiple feed (up to 9-fold) and a double clamping vice for short remnant pieces are standard accessories.




		SBA A2
Power	kW	4
Cutting speed (infinitely variable)	m/min	18 - 110
Cutting range, 90°, round ●	mm	260
flat ■ (W x H)	mm	260 x 260
square ■	mm	260 x 260
Angle adjustment	right (+)	-
	left (-)	-
Cutting range, 45°, right, round ●	mm	-
flat ■ (B x H)	mm	-
square ■	mm	-
Cutting range, 15°, left, round ●	mm	-
flat ■ (B x H)	mm	-
square ■	mm	-
Standard feed length	mm	750
Multiple feed (standard)	mm	6750
Material support height	mm	700
Weight	kg	1300
Overall dimensions, length	mm	2100
width	mm	2280
height, highest position / saw head lowered	mm	1720/1300
Blade dimensions	mm	3830 x 25 x 0.9

HACKSAWING MACHINE



51

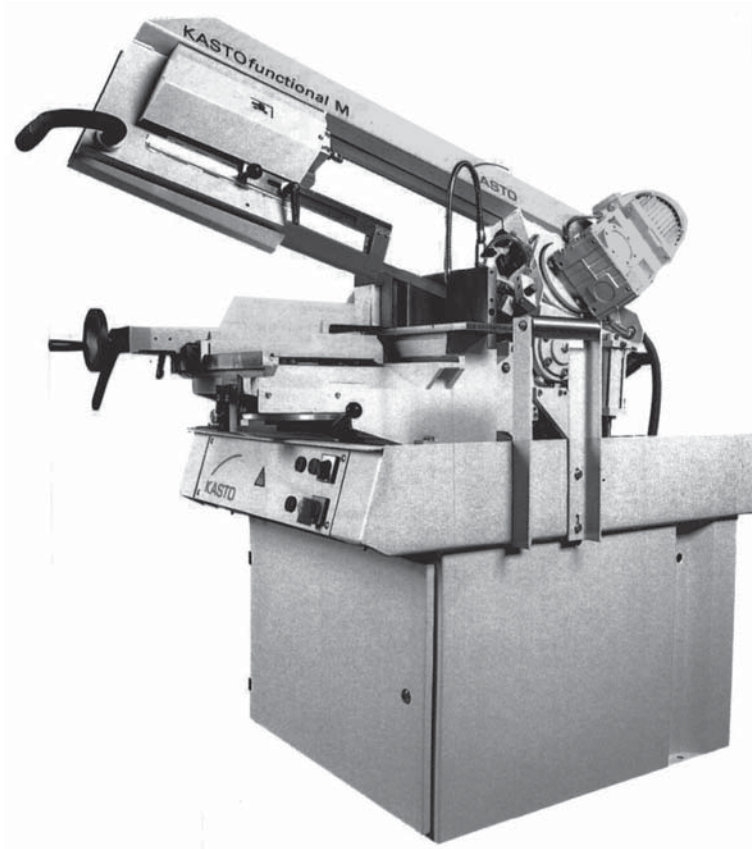


		HBS 1	HBS 2
Power	kW	0,8	1
Number of strokes	1/min	62/125	62/125
Medium cutting speed	m/min	16/32	16/32
Cutting range 90° round ●	mm	210	250
flat ■ (w x h)	mm	240 x 190	280 x 200
square ■	mm	210 x 210	250 x 250
Cutting range 45° round ●	mm	150	180
flat ■ ; ■ (w x h)	mm	150 x 100; 130 x 210	170 x 200; 155 x 255
square ■	mm	145 x 145	170 x 170
Automatic feed length	mm	–	–
Multiple feed (standard)	mm	–	–
Material support height	mm	500	500
Weight	kg	170	182
Overall dimensions length	mm	1190	1385
width	mm	480	505
height, highest position/lowered pos.	mm	1230/810	1220/960
Saw blade dimensions	mm	400 x 30 x 1,5	450 x 40 x 2

52



BANDSAWING MACHINE

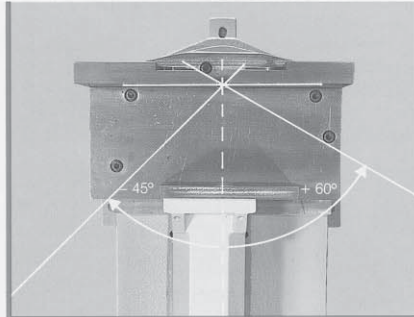


Vice jaw positioning at -45°

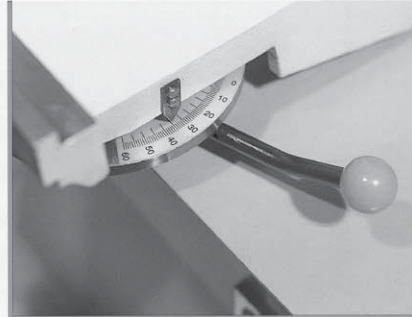
Vice jaw positioning at 90°

Vice jaw positioning at $+45^\circ$

KASTO Funktional



The ideal centre of rotation



Clearly readable mitre scale

BANDSAWING MACHINE



53

KASTO FUNKTIONAL M

The bandsawing machine KASTO FUNKTIONAL is able to solve the major cutting-to-length and mitre cutting tasks in the workshop.

The manually operated (M) is able to perform straight cuts and mitre cuts with tubes, structurals or solid material from (-) 45° (left) up to (+) 60° (right hand side).

Large working range

The large working range of 300x260 mm is of a particular advantage when mitre cuts are performed. Even at 60° a working range of 160x160 mm is still possible.

Easy operation

The ergonomic support height of 950 mm and the specific design of the machine base ensure easy access and an upright working position. A special feature is the spring-balanced aluminium saw head and the ergonomically arranged operating grips that allow a sensitive and blade saving cutting without having to exert much force.

Fast material clamping with the adjustable vice

The clamping vice of the KASTO FUNKTIONAL can be adjusted according to the shape of the workpiece with just a few movements. As shown by the picture series, the movable vice jaw can be adjusted in the longitudinal direction along the workpiece to achieve optimum clamping conditions at any angle to be cut. The vice can be clamped in each position.

Mitre cutting without length correction

The centre of rotation of the saw head is at the intersecting point of bandsaw blade and material supporting edge so that length corrections are not necessary when changing the angle for a mitre cut. Accurate cut-off lengths are thus obtained. An easy-to-read scale contributes to the rapid adjustment of the required angle.

A chip collecting device, coolant container and coolant pump are standard accessories.

		FUNKTIONAL M
Power	kW	1
Cutting speed	m/min	35/70
Cutting range at 90°, round ●	mm	260
flat ■ (W x H)	mm	300 x 260
square ■	mm	260 x 260
Mitre adjustment,		
right (+) from 0°	up to	60°
left (-) from 0°	up to	45°
Cutting range at 45°/60°, right, round ●	mm	200/165
flat ■ (W x H)	mm	200 x 240 / 160 x 120
square ■	mm	200 x 200 / 150 x 150
Cutting range at 45°, left, round ●	mm	200
flat ■ (W x H)	mm	200 x 240
square ■	mm	200 x 200
Material support height	mm	950
Weight	kg	360
Overall dimensions, length	mm	1700
width	mm	850
height – highest position/lowered	mm	1900/1480
Bandsaw blade dimensions	mm	2910 x 25 x 0.9